



www.cyanlux.com

LED Linear Track Light

P01 & P02

• Specification V2.1 Released on 2018.8.28



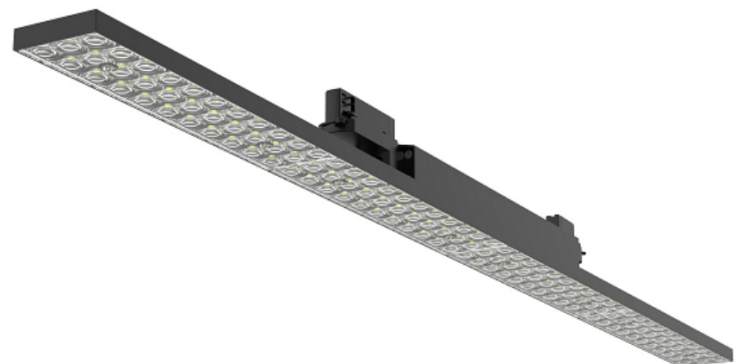
Cyanlux LED Linear Track Light

- P01 Track Panel
- P02 Track Line





The P01&P02 series is a brand-new linear lighting system, which is totally different from the traditional trunking system light. The P01&P02 adopts European standard 3 circuit commercial track rail instead of trunking rail.



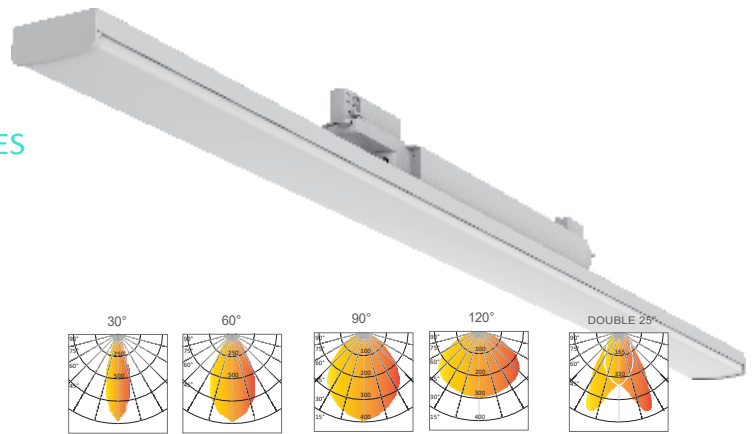
HIGHER FLEXIBILITY FOR MAXIMUM ATMOSPHERE

high-quality and particularly energy-efficient light ensures attractive general lighting and routing in the shop - and at the same time enables flexible accentuation of the goods in combination with spotlights.

1 • Features

VERSATILE - HIGH ADAPTABILITY FOR PLANNING FREE SPACES

With a large variety of variants, the P01&P02 Led offers enormous planning scope to implement the various lighting requirements in the Shop & Retail area. The light is available either as a classic version for a 3-phase track



FLEXIBLE

For flexible room usage: 3-phase busbar version can be rotated and fixed by 350 ° even after installation

HIGH QUALITY AND EFFICIENT

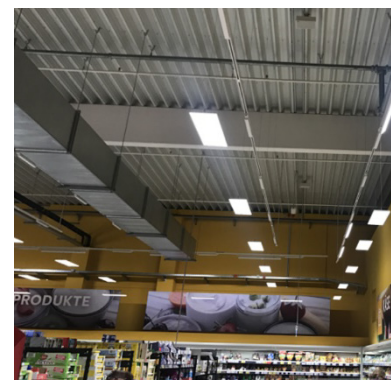
Excellent quality, high energy efficiency and long life for permanently high-quality light and low operating costs.



2 • Applications



SHOP & RETAIL



3•Explosion Drawing

P01 Serie



Aluminum bracket

Driver

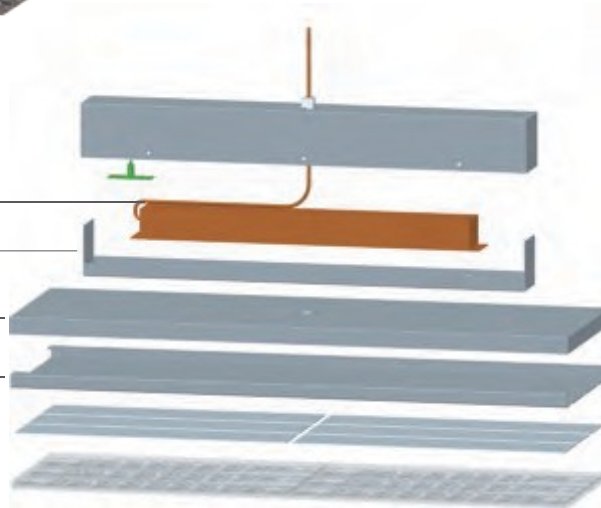
Aluminum bracket

AL Frame

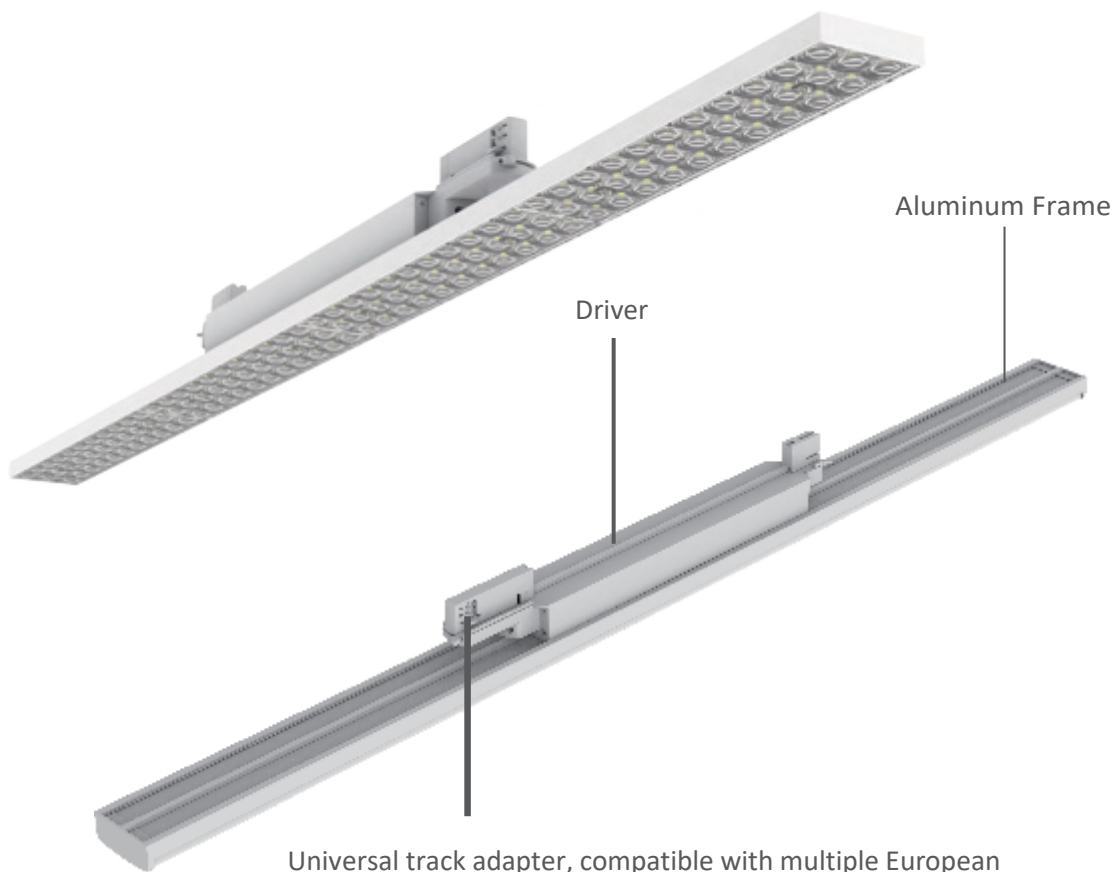
HeatSink

PCB and LED

Lens



P02 Serie

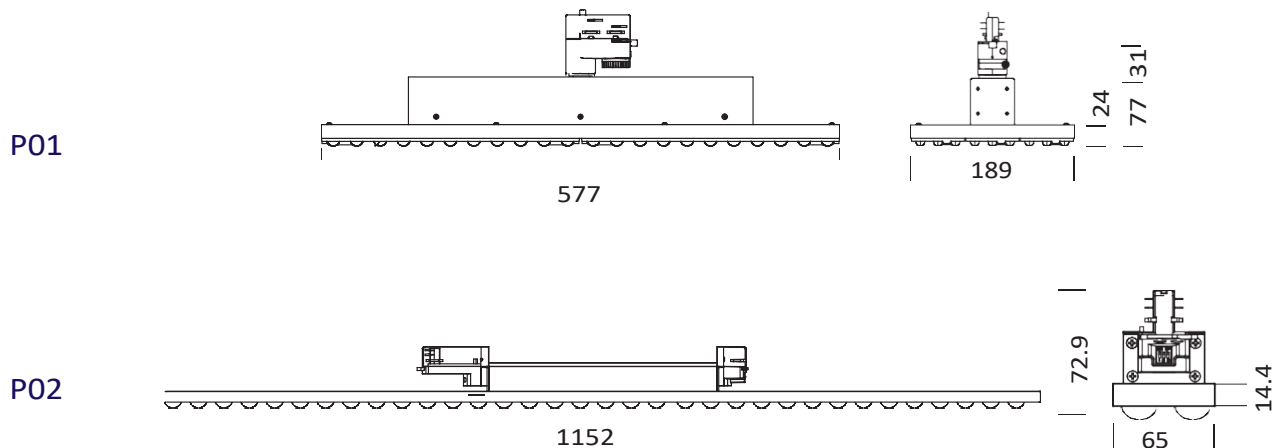


Aluminum Frame

Driver

Universal track adapter, compatible with multiple European 3-circuit tracks.

4• Dimension (mm)

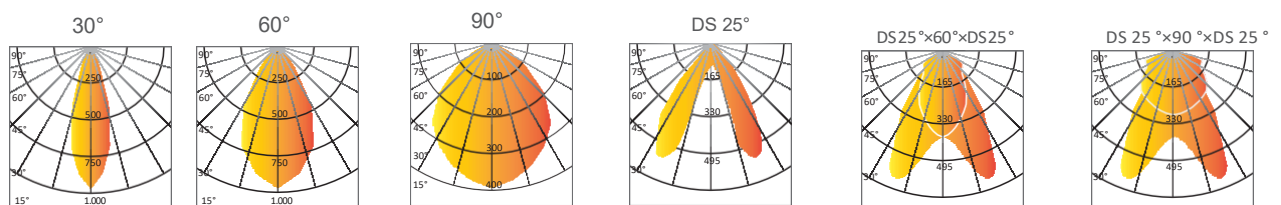


5• Technical / Electrical Characters

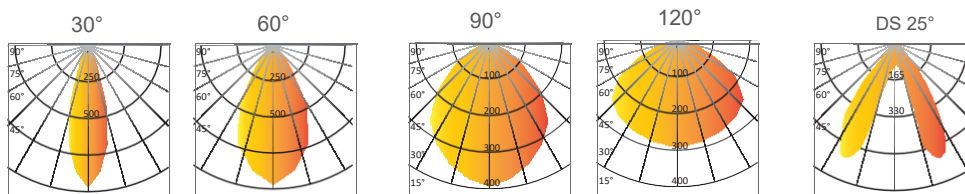
ITEM	Product Code	Product Size	Power	Lumen	LENS	Input Voltage	CCT	Ra	Color	Function
1	P01-72-A0	577x189 mm	72W can adjust 68W/64W/60W	Max 10000LM 140lm/w	90°×90°×90° 60°×60°×60° DS 25°×DS 25°×DS 25° DS 25°×90°×DS 25° DS 25°×60°×DS 25°	AC220-240V	3000K 4000K 5000K	CRI>80 or CRI>90	White or Black	NO-Dimming
2	P01-72-B4	577x189 mm	72W	10000LM 140lm/w	90°×90°×90° 60°×60°×60° DS 25°×DS 25°×DS 25° DS 25°×90°×DS 25° DS 25°×60°×DS 25°	AC220-240V	3000K 4000K 5000K	CRI>80 or CRI>90	White or Black	DALI
3	P02-48-T1	1152x65 mm	48W can adjust 44W/40W/34W	Max 7200LM 150lm/w	30° 60° 90° 25° 120°	AC220-240V	3000K 4000K 5000K	CRI>80 or CRI>90	White or Black	NO-Dimming
4	P02-55-B4	1152x65 mm	55W	8000LM 150lm/w	30° 60° 90° 25° 120°	AC220-240V	3000K 4000K 5000K	CRI>80 or CRI>90	White or Black	DALI

Beam Angle

P01



P02

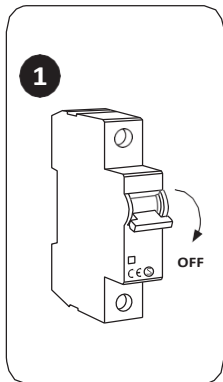
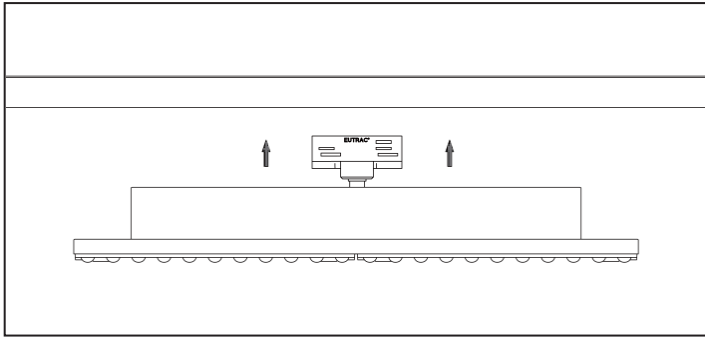


6 • Installation

P01 Track Panel Installation

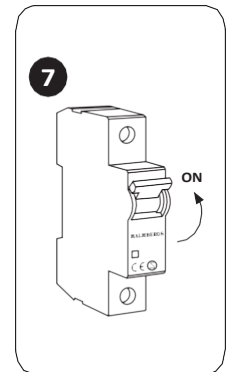
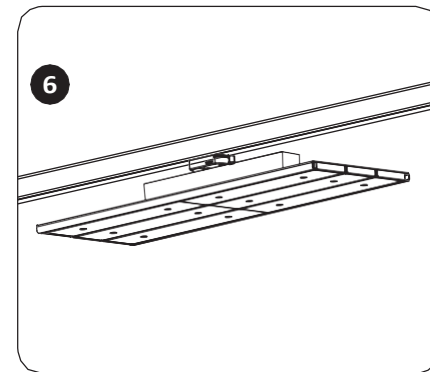
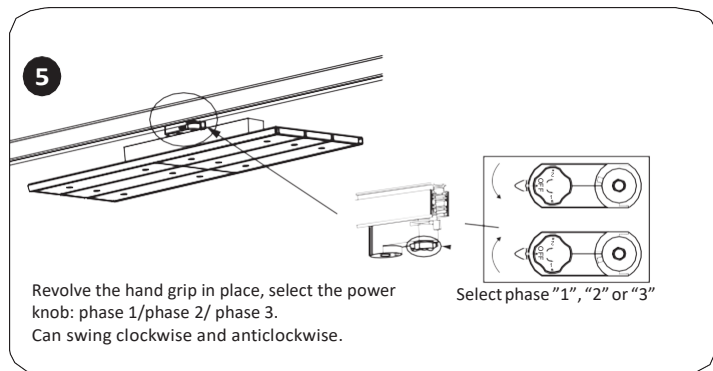
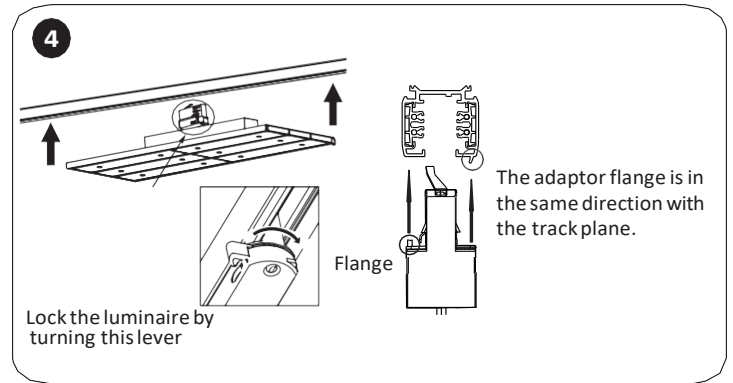
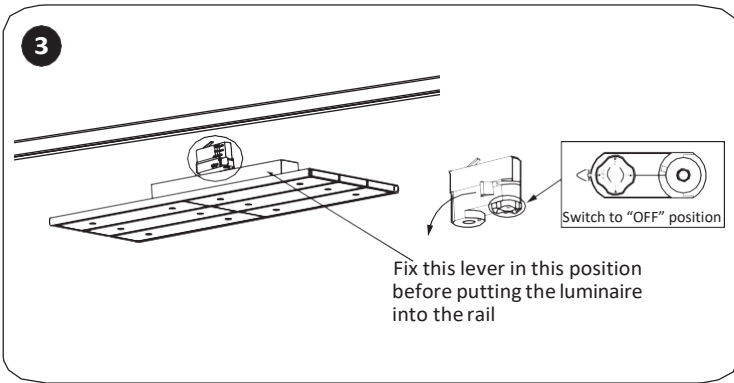
POWERGEAR 3-Circuit Track Adaptor is universal compatible. It will work with the following brand track: STAFF, NORLUX, GLOBAL, NUCO AND NORDIC.

ONE PART ADAPT IT ALL!



Before use, always check dip switch settings

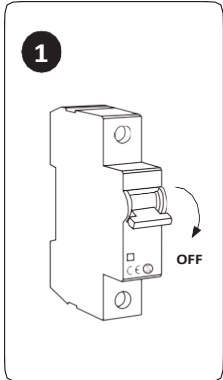
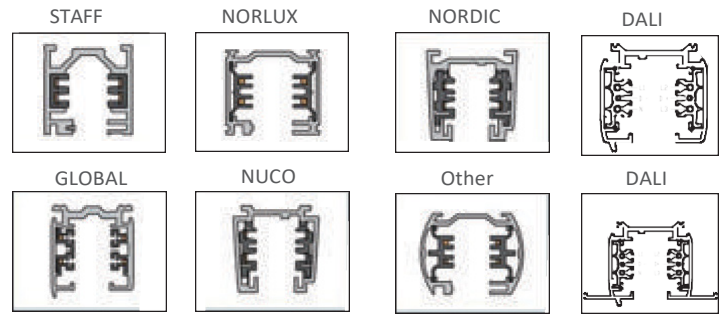
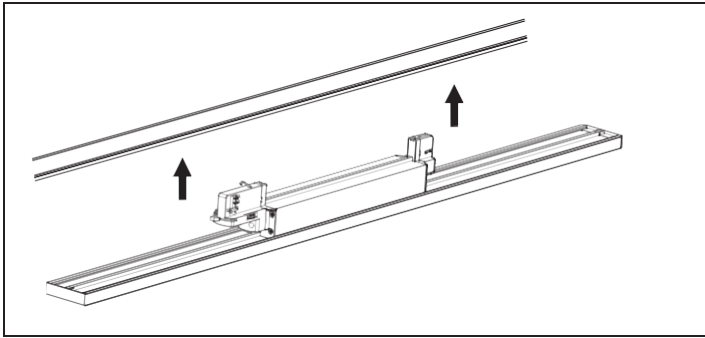
Output Current	1	2	3	Power(W)
1700mA	—	—	—	60
1800mA	ON	—	—	64
1900mA	ON	ON	—	68
2000mA	ON	ON	ON	72



P02 Track Linear Installation

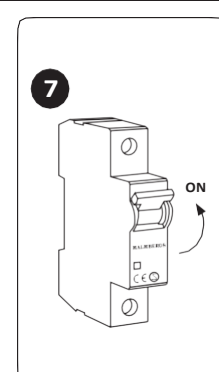
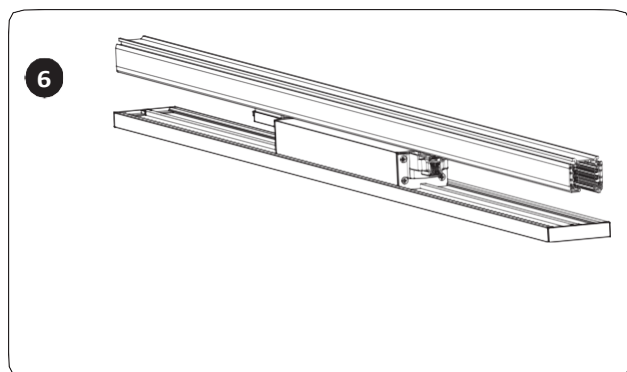
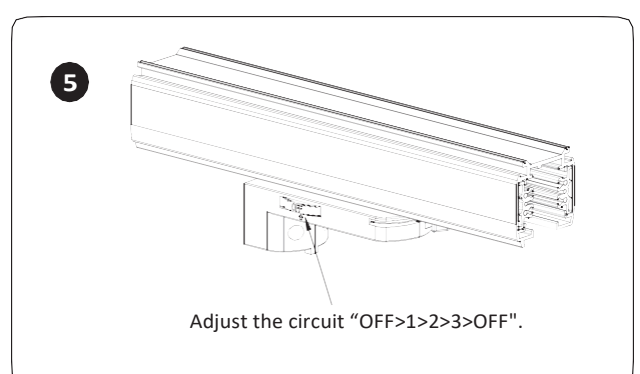
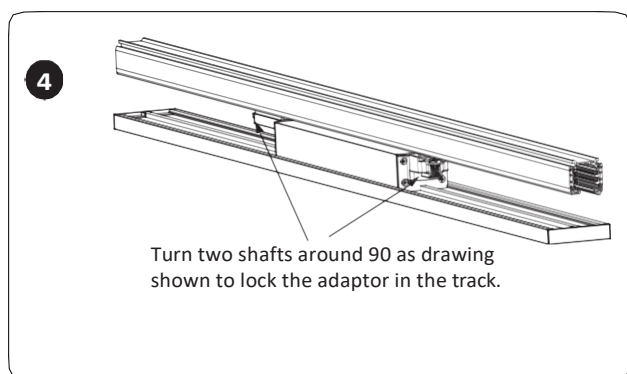
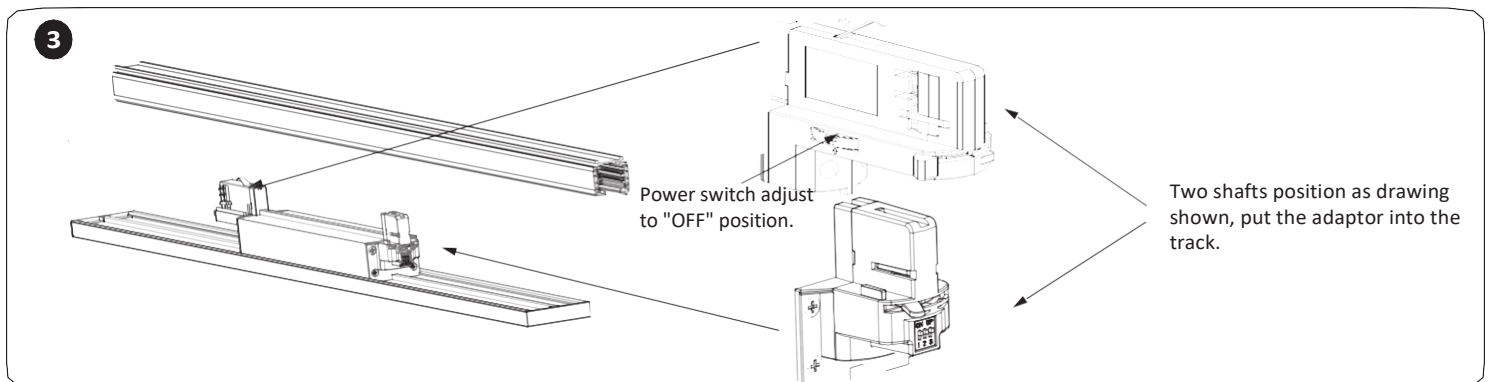
POWERGEAR 3-Circuit Track Adaptor is universal compatible. It will work with the following brand track: STAFF, NORLUX, GLOBAL, NUCO AND NORDIC.

ONE PART ADAPT IT ALL!



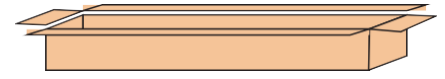
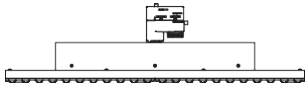
Before use, always check dip switch settings

Output Current	1	2	3	Power(W)
350mA	—	—	—	48
325mA	ON	—	—	44
300mA	ON	ON	—	40
250mA	ON	ON	ON	34



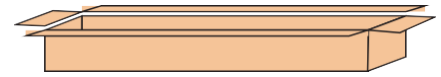
7• Package

Code	Outer Carton	Qty/Carton	Unit N.W	G.W/Carton
P01	645 x 240 x 200mm	1Pcs	2.9kg	3.2Kg



1PCS/CTN
Shipping Carton

Code	Outer Carton	Qty/Carton	Unit N.W	G.W/Carton
P02	1250x 370 x 205mm	8Pcs	1.4kg	13Kg



8PCS/CTN
Shipping Carton

CAUTION

- ※ In case of electric shock, please make sure the power is off before installation.
- ※ The lamp should be installed and operated by a qualified electrician or technician in accordance with relevant local codes.
- ※ Do not use sharp tools near or on the surface of the lamp.
- ※ Unpack and examine the product carefully. Report any damage and save all packing materials if any portion of the product was damaged during transportation.